

# FALL PREVENTION WITHOUT THE NOISE!®



## TAMPER-RESISTANT MAGNET ALARM WITH HOLDER & NURSE CALL FEATURE (MAG-4) INCLUDES TAMPER-PROOF "IN-ROOM SOUND" SWITCH TO SILENCE ALARM SOUND IN RESIDENT'S ROOM

### INSTRUCTIONS

The feature rich Secure® Magnet Alarm was designed to provide the option of in-room silence while providing maximum fall management benefits. **HOWEVER, PLEASE NOTE THAT THIS PRODUCT IS NOT A RESTRAINT. IT WILL NOT PREVENT A RESIDENT FROM GETTING OUT OF THEIR BED OR CHAIR.**

Please refer to Illustration A below for the following steps:

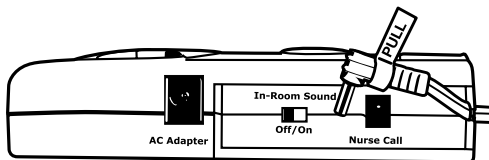


Illustration A

1. Open the sliding tamper-resistant cover on side of alarm with a screwdriver.
2. If using a nurse call cable determine if you want to silence the alarm in the resident's room. If you **DO** want the alarm to sound in the resident's room when using the nurse call feature, slide the "In-Room Sound" switch to the "On" position. If you **DO NOT** want the alarm to sound in the room but **DO** at the nurse's station slide the "In-Room Sound" switch to the "Off" position.

**PLEASE NOTE: IF YOU DECIDE TO TURN THE ALARM SOUND OFF IN A RESIDENT'S ROOM WHEN USING THE NURSE CALL SYSTEM THE "IN-ROOM SOUND" SWITCH MUST BE IN THE "OFF" POSITION. IF YOU WANT THE ALARM TO SOUND IN THE RESIDENT'S ROOM THE NEXT TIME THE ALARM IS USED YOU MUST MOVE THE "IN-ROOM SOUND" SWITCH TO THE "ON" POSITION.**

3. Insert nurse call plug into opening marked "Nurse Call."

4. Carefully thread the nurse call cord through the slot opening at the bottom of the alarm.
5. Replace sliding tamper-resistant cover and tighten screw with a screwdriver to prevent tampering.

Please refer to Illustration B below for the following steps:

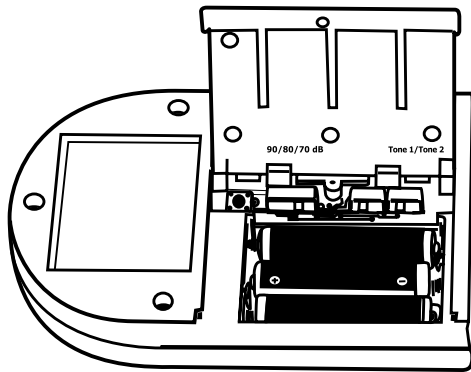


Illustration B

6. Open battery cover on back of alarm by removing tamper-resistant screw with a screwdriver and sliding battery cover in the direction of the arrow with your thumbs. The battery cover will open and stay attached to the alarm. Install three "AAA" batteries (included) into battery compartment per the "+/-" diagrams on the bottom of the battery holder. The alarm will beep twice.
7. The alarm also has an AC adapter plug-in option on the side of the alarm. Please refer to Illustration A above. If at all possible it is recommended that you use an AC/DC Adapter along with the batteries to prolong the life of the batteries. (It is recommended that you use our Secure® 6-Volt AC/DC Adapter to avoid possible damage to the alarm. See our order form to order our Secure® 6-Volt AC/DC Adapter – Model # ACDC-1.)

**PLEASE NOTE!**  
Do not use this magnet alarm for a resident or patient with a pacemaker or implantable cardioverter-defibrillator (ICD).  
Thank you.

8. The alarm features two different alarm tones for roommate or sound preference options. Decide if you would like a continuous alarm tone or a pulsating alarm tone. If you would like a continuous alarm tone move the "Tone 1/Tone 2" switch to the left so that the switch is positioned under "Tone 1." To hear this tone, simply remove magnet from front of alarm.

If you would prefer a pulsating alarm tone move the "Tone 1/Tone 2" switch to the right under "Tone 2." To hear this tone, simply remove magnet from front of alarm.

9. Once you are comfortable with your alarm tone selection you will need to choose the decibel level by moving the "90/80/70 dB" switch to each decibel level and removing the magnet from the alarm. Place the magnet back on the alarm prior to moving the switch and testing each decibel level. Position the dB switch at the desired decibel level.
10. You have now completed all the alarm function set-up steps. Close the battery compartment and replace the tamper-resistant screw.
11. Remove the paper covering from the top of the Velcro® piece attached to the bottom of the alarm. Slide the alarm into the alarm holder (included) carefully threading the nurse call cable, if used, through the slot

Continued on Other Side

Please see our complete line of Secure® fall & wandering prevention products at [www.padalarm.com](http://www.padalarm.com).

Highest Quality...Lowest Prices...Guaranteed!

Personal Safety Corporation • Cedar Rapids, Iowa 52402 • 800.3.SECURE

# TAMPER-RESISTANT MAGNET ALARM WITH HOLDER & NURSE CALL FEATURE (MAG-4)

## INSTRUCTIONS CONTINUED

opening at the bottom of the holder. Press down on the top of the alarm while pulling the cord through the opening to secure the Velcro<sup>®</sup> piece to the bottom of the holder. The alarm is now firmly in the holder. When it is necessary to remove the alarm from the holder simply pull up firmly on the alarm to separate the Velcro<sup>®</sup> pieces. Remove the cord by sliding it through the slot at the bottom of alarm holder to completely remove the alarm from the holder.

12. Affix the alarm and holder securely to the side of a bed or chair out of sight and reach of the resident. However, holder placement should be easily accessible to staff. Simply wrap the Velcro<sup>®</sup> strap with the rubberized non-slip backing attached to the back of the holder tightly around railing or frame of bed or wheelchair.

**PLEASE NOTE: THE PLACEMENT OF THE ALARM AND HOLDER MUST ALLOW THE MAGNET TO BE EASILY DETACHED FROM THE ALARM WHEN AN UNWANTED EXIT**

**FROM A BED OR CHAIR IS ATTEMPTED BY A RESIDENT. ONCE THE ALARM AND HOLDER ARE IN PLACE TEST THE ALARM BY SIMULATING WHERE THE RESIDENT WOULD BE PLACED AND PULL ON THE CORD. THE MAGNET SHOULD QUICKLY DETACH FROM THE ALARM TO ACTIVATE THE ALARM SOUND.**

13. Attach the clip at the end of the magnet accessory cord to the resident's clothing positioning the clip so that is not accessible to the resident. **HOWEVER, THE CLIP MUST BE POSITIONED SO THAT IF THE RESIDENT ATTEMPTS TO EXIT THE BED OR CHAIR THE MAGNET WILL QUICKLY DETACH FROM THE ALARM ACTIVATING THE ALARM SOUND. TEST BY PULLING ON THE CORD IN THE DIRECTION THAT THE RESIDENT WOULD EXIT THE BED OR CHAIR.**
14. The alarm must be checked prior to each use for proper functioning. **DO NOT ASSUME! TEST THE ALARM FUNCTION EACH TIME IT IS USED.**

15. The flashing alert light bar on the front of the alarm also functions as a low battery indicator.

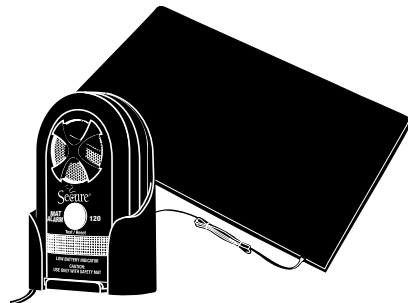
In an exit attempt the flashing alert light bar will flash **RED**. When the batteries are low and require changing the flashing alert light bar will flash **BLUE**. Note: As a safeguard, the blue low battery indicator light will continue to flash until the batteries are changed.

### 12 MONTH LIMITED WARRANTY

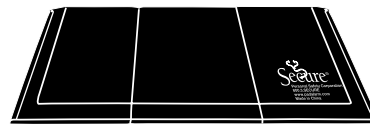
Personal Safety Corporation warrants this product to be free from factory defects in materials and workmanship for a period of one year from date of purchase. Void if the product is misused, abused, or punctured. No warranty or responsibility of use expressed or implied.



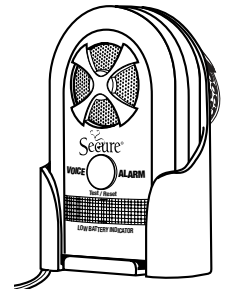
**Secure<sup>®</sup> Hip Protectors - SHP**  
 (In five sizes)



**Secure<sup>®</sup> Reversible Safety Floor Mat - MAT-3 & MAT-4**



**Secure<sup>®</sup> Beveled Edge Safety Mat SBEV-1**



**Secure<sup>®</sup> Voice Alarm SVA-1**

*Please see our complete line of Secure<sup>®</sup> fall & wandering prevention products at [www.padalarm.com](http://www.padalarm.com).*

**Highest Quality...Lowest Prices...Guaranteed!**

**Personal Safety Corporation • Cedar Rapids, Iowa 52402 • 800.3.SECURE**