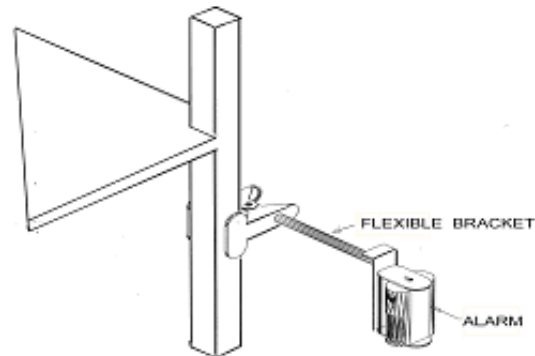
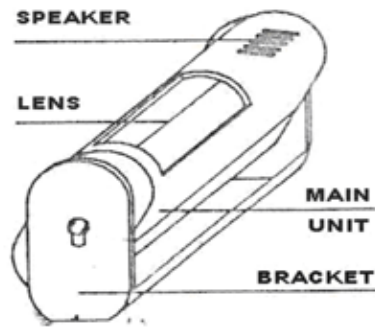


# SECURE® PIR MOTION DETECTION ALARM (PIR-1)



The Secure® PIR Motion Detection Alarm is a convenient-sized, passive infrared (PIR) motion sensor alarm, which provides reliable detection all day long to assist in your fall and wandering management program. The PIR alarm provides safety, security and convenience. Its special features include:

1. Wide detection area.
2. Ideal for both fall management and wandering management.
3. Can be affixed to a wall or a bed, placed on the floor or on a table in either a vertical or horizontal position.
4. Can also be attached to a bed or chair with the optional Flexible Bracket (FB-1).
5. Provides nearly a 360 degree adjustable angle after installation.
6. Easy to install and use.
7. 9-volt battery included.

**PLEASE NOTE: For optimum results position alarm at foot of bed with lens directed towards a wall.**

## BATTERY INSTALLATION:

The alarm is attached to the bracket. Gently pull the ends of the bracket away from the alarm to remove alarm. Slide open the battery cover at the back of the alarm and connect the 9-volt battery included. Replace battery cover. Put bracket back on alarm.

## ALARM INSTALLATION:

If using the alarm for fall management install or place alarm at foot of bed with lens directed towards a wall. If for wandering management install or place alarm with lens directed at door entry. The alarm can be affixed to a wall using the wall screws included. The alarm can also

be affixed to a wall, bed or other stationary object using Velcro® included.

In addition you may purchase the optional Flexible Bracket (FB-1) to attach the alarm to a bed. The bracket has an extra long neck to prevent blankets from obstructing the lens.

Note the alarm can be placed in either the vertical or horizontal position. Once the alarm is in place adjust the lens to cover the desired detection area.

## ALARM OPERATION:

The operation of the Secure® PIR Motion Detection Alarm is as simple as 1-2-3:

1. Affix or place the alarm as needed.
2. Adjust the lens to point at desired detection area.
3. Turn the alarm switch from the "Off" position to either the "Alarm" or "Chime" position. Wait 30 seconds for the alarm to warm up. The alarm is then set to sound when it detects movement in the path of the alarm's detection lens.

**PLEASE NOTE: For patient or resident safety we have designed the alarm to continue to sound until a staff member turns it to the "OFF" position.**

**Once the staff member has returned the patient or resident safely into bed the alarm switch must be set to either the "Alarm" or the "Chime" position for the next ambulatory attempt.**

## IMPORTANT INFORMATION:

The PIR alarm is a very sensitive electronic product. For maximum long-term use please:

1. Do not drop the alarm.
2. Do not install near heat sources, direct sunlight or exposure to moisture.

*Please see our complete line of Secure® fall & wandering prevention products at [www.padalarm.com](http://www.padalarm.com).*

**Highest Quality...Lowest Prices...Guaranteed!**

**Personal Safety Corporation • Cedar Rapids, Iowa 52402 • 800.3.SECURE**