

FALL PREVENTION WITHOUT THE NOISE!®



VOICE OR DUAL TONE ALARM WITH HOLDER & NURSE CALL FEATURE (SVA-1) INCLUDES TAMPER-PROOF "IN-ROOM SOUND" SWITCH TO SILENCE VOICE OR ALARM IN RESIDENT'S ROOM

PRODUCT FUNCTIONS WITH SECURE® BED OR CHAIR SENSOR PADS AND SECURE® SEAT BELT

INSTRUCTIONS

The feature rich Secure® Voice Alarm was designed to provide the option of in room silence while providing maximum fall management benefits. The alarm is to be used with Secure® Bed or Chair Sensor Pads or the Secure® Seat Belt as part of a total fall management program. If using with the Secure® Seat Belt please refer to your seat belt instructions. The following instructions cover the use of this product with Secure® Bed or Chair Sensor Pads.

This product is not a restraint. It will not prevent a resident from getting out of their bed or chair.

1. Please refer to Illustration A below for the following steps:

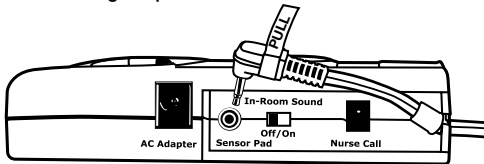


Illustration A

- a. Open the sliding tamper resistant cover on side of alarm with a Phillips screw driver.
- b. If using a nurse call cable determine if you want to silence the alarm in the resident's room. If you **DO NOT** want the alarm or voice to activate in the resident's room when using the nurse call feature, slide "Off/On" switch to the "Off" position. If you **DO** want the alarm or voice to activate in the room and at the nurse's station slide the "Off/On" switch to the "On" position.

PLEASE NOTE: IF YOU DECIDE TO SILENCE THE ALARM OR VOICE IN THE RESIDENT'S ROOM WHEN USING THE NURSE CALL SYSTEM THE "OFF/ON" SWITCH SHOULD BE IN THE "OFF" POSITION. IF YOU WANT THE ALARM TO SOUND IN THE RESIDENT'S ROOM THE NEXT TIME USED YOU MUST MOVE THE "OFF/ON" SWITCH TO THE "ON" POSITION.

- c. Insert nurse call plug into opening marked "Nurse Call." Insert pin of bed or chair sensor pad into opening marked "Sensor Pad." **CAUTION! ALWAYS remove sensor pad pin from alarm by pulling straight up on the white "PULL" tab. DO NOT attempt to remove pin any other way or you may damage pin and void warranty.**
 - d. Carefully thread the nurse call cord and/or pad cord through the slot opening at the bottom of the alarm.
 - e. Close sliding tamper-resistant cover and tighten screw with Phillips screwdriver to prevent tampering.
2. Please refer to Illustration B below for the following steps:

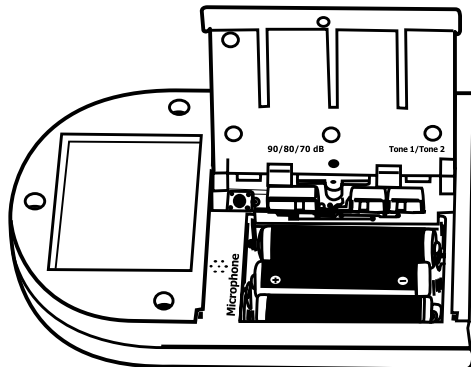


Illustration B

- a. Open battery cover on back of alarm by removing tamper-resistant screw and sliding the battery cover in the direction of the arrow with your thumbs. The battery cover will open and stay attached to the alarm. Install three "AAA" batteries "included" into battery compartment per the "+/-" diagrams on the bottom of the battery holder. The alarm will beep twice.
- b. The alarm also has an AC/DC Adapter plug-in option on the side of the alarm. Please refer to Illustration A. If at all possible it is recommended that you use

an AC/DC Adapter along with the batteries to prolong the life of the batteries. (See our order form to order our Secure® 6-Volt AC/DC Adapter - Model # ACDC-1.)

- c. Decide if you want the alarm to sound with a recorded voice or an alarm tone. If you decide on an alarm tone move the "Voice/Tone" switch to the right under "Tone" where you have two choices as follows:
 1. If you would like to have a continuous alarm tone move the switch marked "Tone 1/Tone 2" to the left so that it is positioned under "Tone 1." To hear this tone simply press and hold down the "Test/Reset" button on the front of the alarm.
 2. If you would like to have a pulsating alarm tone move the "Tone 1/Tone 2" switch to the right so that it is positioned under "Tone 2." To hear this sound simply press and hold down the "Test/Reset" button on the front of the alarm.
- d. If you want the alarm to sound with a recorded voice message move the "Voice/Tone" switch to the left so that it is positioned under "Voice" and follow the instructions in Point 3 below.

3. TO RECORD A VOICE MESSAGE

- a. Decide what you would like the message to say and the person who will record the message. Your message can be up to 12 seconds long. You might consider something similar to: "Mrs. Jones, please sit back down in your chair. Thank you." or "Mrs. Jones, it is not time to get out of bed yet. Please lie back down. Thank you." Once the message is activated it will continue to repeat on a continuous loop until the reset button on the front of the alarm is pressed or if resident gets

Continued

Please see our complete line of Secure® fall & wandering prevention products at www.padalarm.com.

Highest Quality...Lowest Prices...Guaranteed!

Personal Safety Corporation • Cedar Rapids, Iowa 52402 • 800.3.SECURE

Revised 7/13/09

VOICE OR DUAL TONE ALARM WITH HOLDER & NURSE CALL FEATURE

INSTRUCTIONS CONTINUED

back on the pad, which will automatically reset the alarm and you will hear two beeps. **Note: As a tamper resistant feature please press the "Test/Reset" button 3 times quickly in 1.5 seconds to stop alarm tone or voice.**

- b. To record your voice message **press and hold down** the black button marked "Record." Release the black button when you have finished recording your message. Record your message by speaking into the dot openings marked "Microphone." The volume at which you speak and how close your mouth is to the dot openings determines your message volume. Do a couple of recording tests to determine if your message is clear and loud enough for the resident to understand and hear. To test your recording press and hold the "Test/Reset" button on the front of the alarm.

4. Once you are comfortable with your alarm tone selection or voice recording you will need to choose the decibel level of your tone selection or voice recording. You can test each decibel level by moving the switch to either 70, 80 or 90 decibels and pressing and holding the "Test/Reset" button on the front of the alarm.

5. You have now completed all the alarm function set up steps. Close the battery cover and replace the tamper resistant screw.

6. Remove the paper covering from the top of the Velcro[®] piece attached to the bottom of the alarm. Slide the alarm into the alarm holder carefully threading the pad cord and/or nurse call cords through the slot opening at the bottom of the holder. Press down on the top of the alarm while pulling the cords through the opening to secure the Velcro[®] piece to the bottom of the holder. The alarm is now firmly in the holder. See Illustration C above. When it is necessary

to remove the alarm from the holder simply pull up on the alarm to separate the Velcro[®] pieces. Remove the wires by sliding them through the slot at bottom of alarm holder to completely remove the alarm from the holder.

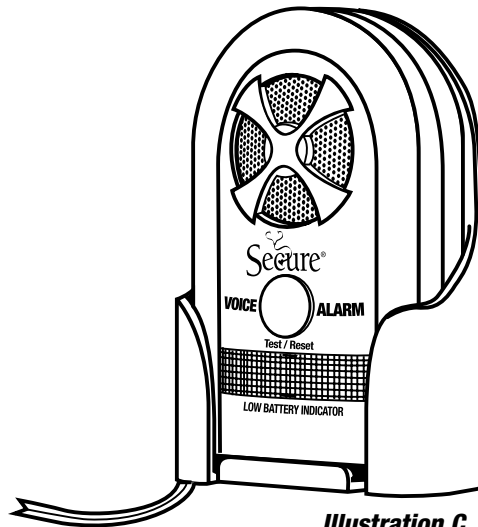


Illustration C
Holder Included

7. Affix the alarm and holder securely to the side of the bed or chair out of sight and reach of the resident. Simply wrap the Velcro[®] strap with the rubberized non-slip backing attached to the back of the holder tightly around railing or frame of bed or wheelchair. Holder placement should be easily accessible to staff. Secure excess cord to avoid damaging cord.
8. Carefully assist resident into bed or wheelchair positioning resident's buttocks in center of pad.
9. Once the resident is positioned on the pad the alarm will beep twice to indicate that the alarm is functioning properly. The alarm will allow for normal movement. **However, if resident gets off sensor pad the alarm will sound or the voice recording will activate to alert staff. When the resident gets back on the pad the alarm**

will automatically reset. However, the light bar will continue to flash red intermittently to let staff members know which resident activated the alarm. Note: As a tamper resistant feature please press the "Test/Reset" button 3 times quickly in 1.5 seconds to stop flashing light and alarm tone or voice.

10. When staff removes resident from pad for whatever reason the alarm will sound. To silence the alarm simply press the "Test/Reset" button on front of alarm. **Note: As a tamper resistant feature please press the "Test/Reset" button 3 times quickly in 1.5 seconds to stop alarm tone or voice.** When the resident is positioned back on the pad the alarm will beep twice signaling that the alarm has automatically reset.

11. **The alarm and sensor pad should be checked prior to each use for proper functioning. Please note: The system can be checked while resident is on the pad by simply pressing "Test/Reset" button. The alarm will beep. DO NOT ASSUME! TEST EACH TIME THE SYSTEM IS USED.**

12. The light bar on the front of the alarm also functions as a low battery indicator. When the batteries are low and require changing the light bar will flash blue intermittently and the alarm will emit a beeping sound. **Note: As a safeguard simply pressing the reset button will not stop the alarm from beeping when the batteries are low. The blue light will continue to flash and the beeping sound will continue until the batteries are changed.**

12 MONTH LIMITED WARRANTY

Personal Safety Corporation warrants this product to be free from factory defects in materials and workmanship for a period of 12 months from the date of purchase. Void if this product has been misused, abused or punctured. No warranty of responsibility of use expressed or implied.

Please see our complete line of Secure[®] fall & wandering prevention products at www.padalarm.com.

Highest Quality...Lowest Prices...Guaranteed!

Personal Safety Corporation • Cedar Rapids, Iowa 52402 • 800.3.SECURE